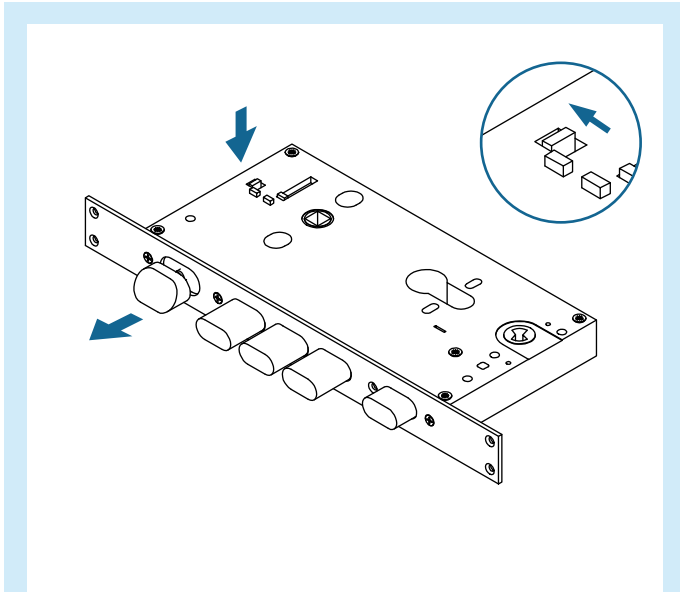
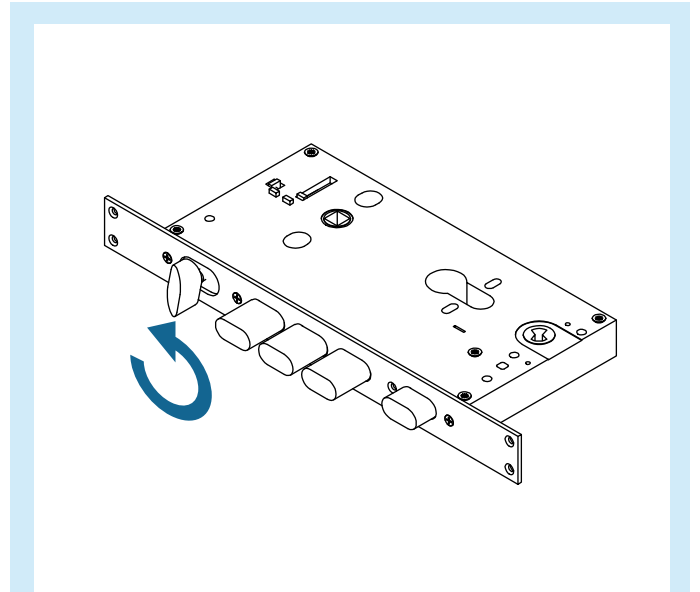


How to change the orientation on an ST8 Sash Lock

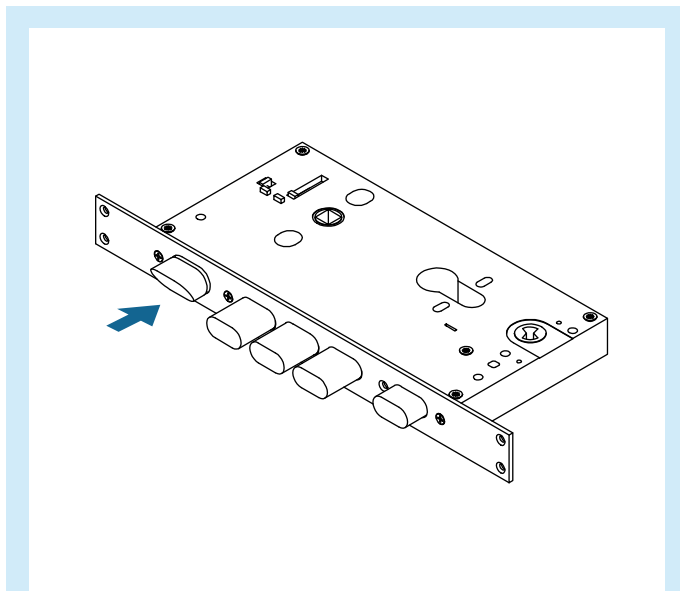
Our standard sashlock (HOOPLY™ ST8) is reversible making it suitable for any door handing. Follow the instructions below to change the handing.



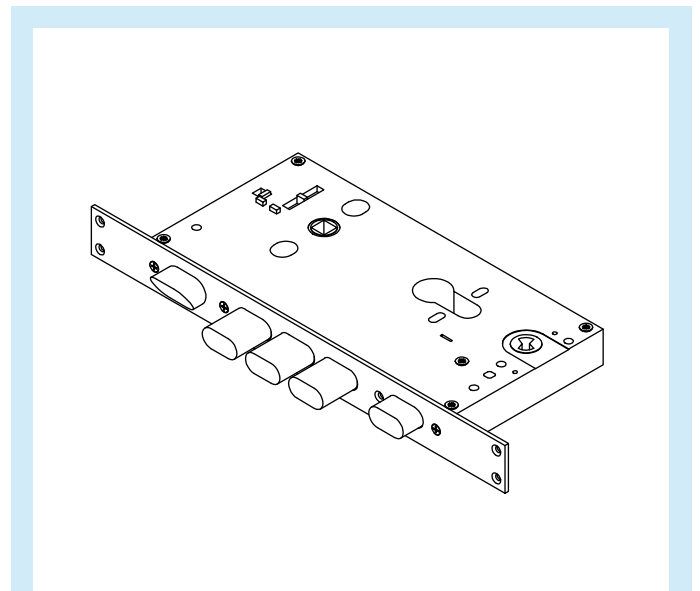
- 1.** To change the handing press this catch to release the latch.



- 2.** Once released, rotate the latch to suit your door handing.



- 3.** Push the latch back into place.



- 4.** Your sashlock is now ready to install.