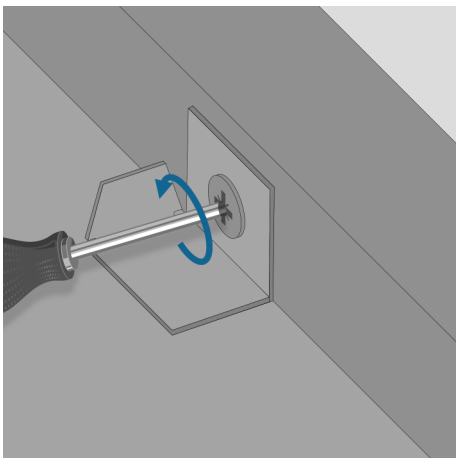


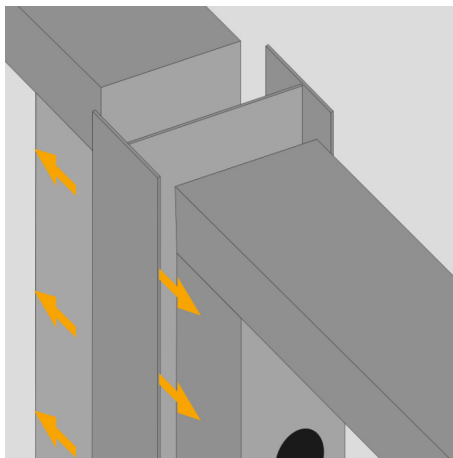
# Installation Guide | Side & Top Frame Extensions

**PLEASE NOTE: THE SIDE AND TOP PANELS COME PARTIALLY ASSEMBLED. TO GAIN ACCESS TO THE FIXINGS HOLES PLEASE REMOVE THE INNER PANEL AND STORE IN A SAFE POSITION WHILST COMPLETING THE INSTALLATION OF THE FRAME.**

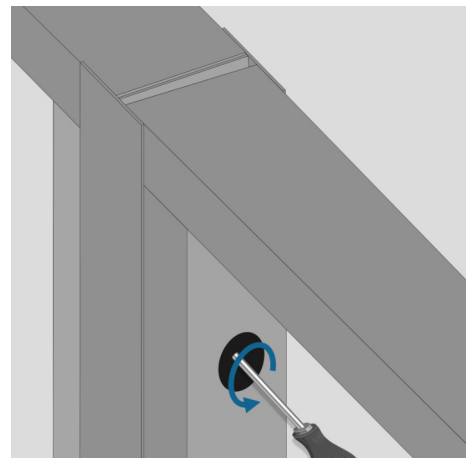
1. Remove the holding clips holding the the inner panel in place using a phillips head screwdriver. Set the infill panel and clips to one side to fit later.
2. Stand the door set up vertically and open the door to at least 90 degrees. Ensuring it sits flush, position the H section between the frame and the door frame.
3. Secure the frames together using the provided fixings. Ensure that you alternate sides when fixing (door frame to H section and extension frame to H section).
4. After the frames are secured together, lift the door frame and extension into the aperture (we recommend a minimum of 2 people for this). Then continue to installation using fitting instructions provided with the doo
5. When the door and frame are installed into the aperture, reinstall the infill panel back into the frame. Screw the metal fixing clips into the provided holes at an equal distance apart depending on the panel size.
6. For a neat and finished look attach the aluminium beading onto the fixing clips, then carry out a final check of the door and frame to ensure it is fully secure.



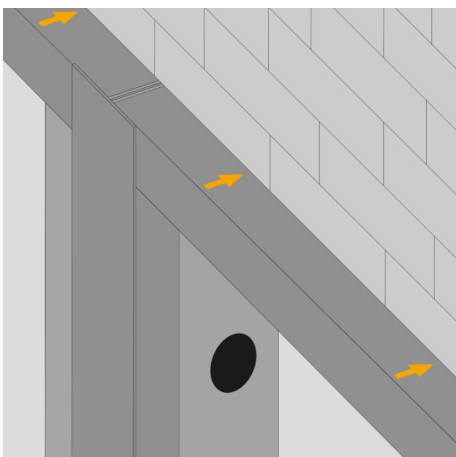
**STEP 1: Remove metal clips**



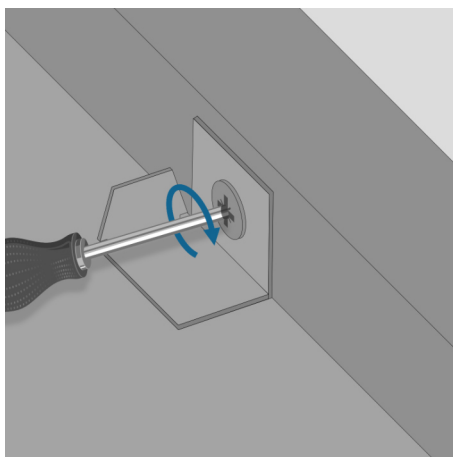
**STEP 2: Position the H Section**



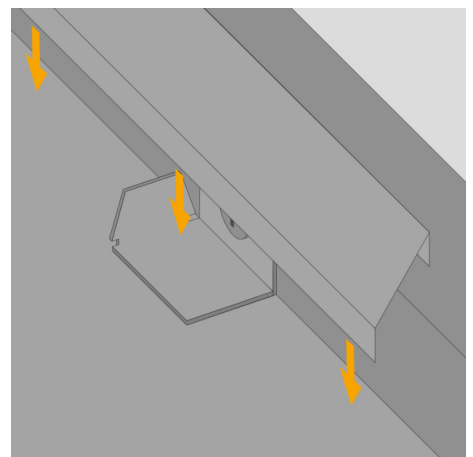
**STEP 3: Fix the frame to frame**



**STEP 4: Fit into aperture**



**STEP 5: Reinstall the panel**



**STEP 6: Attach aluminium beading**