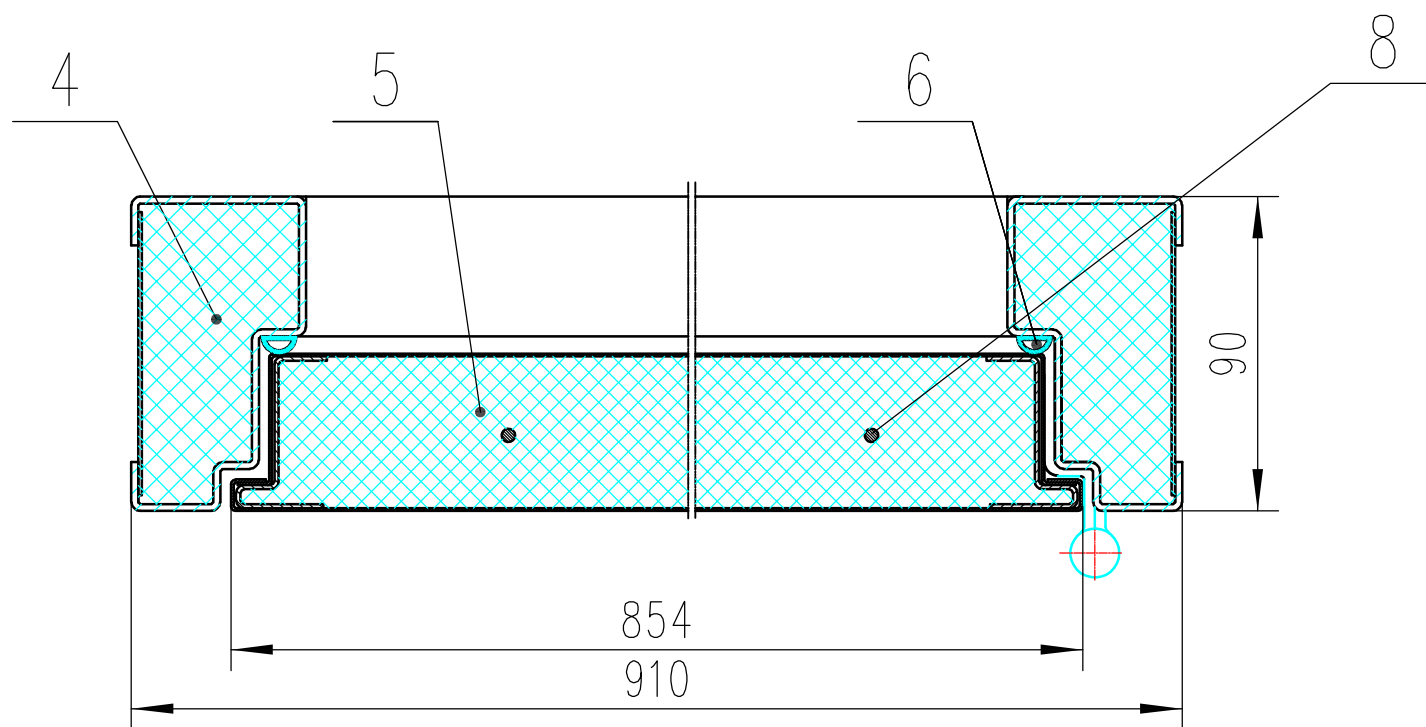
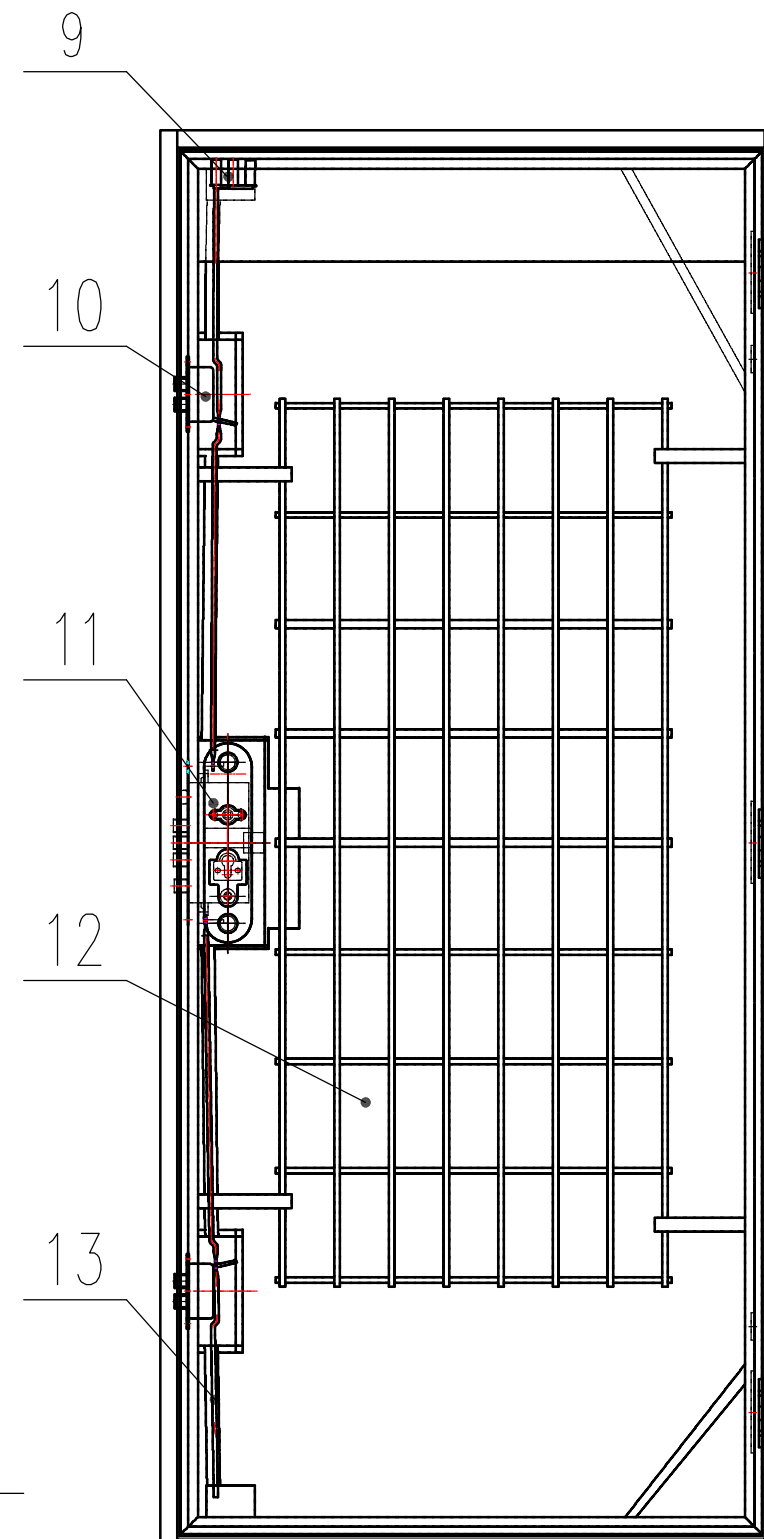
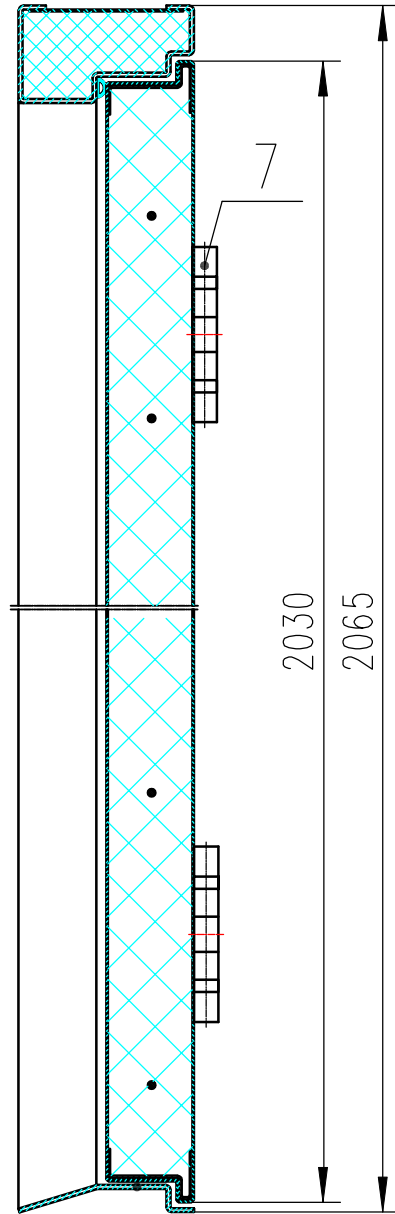
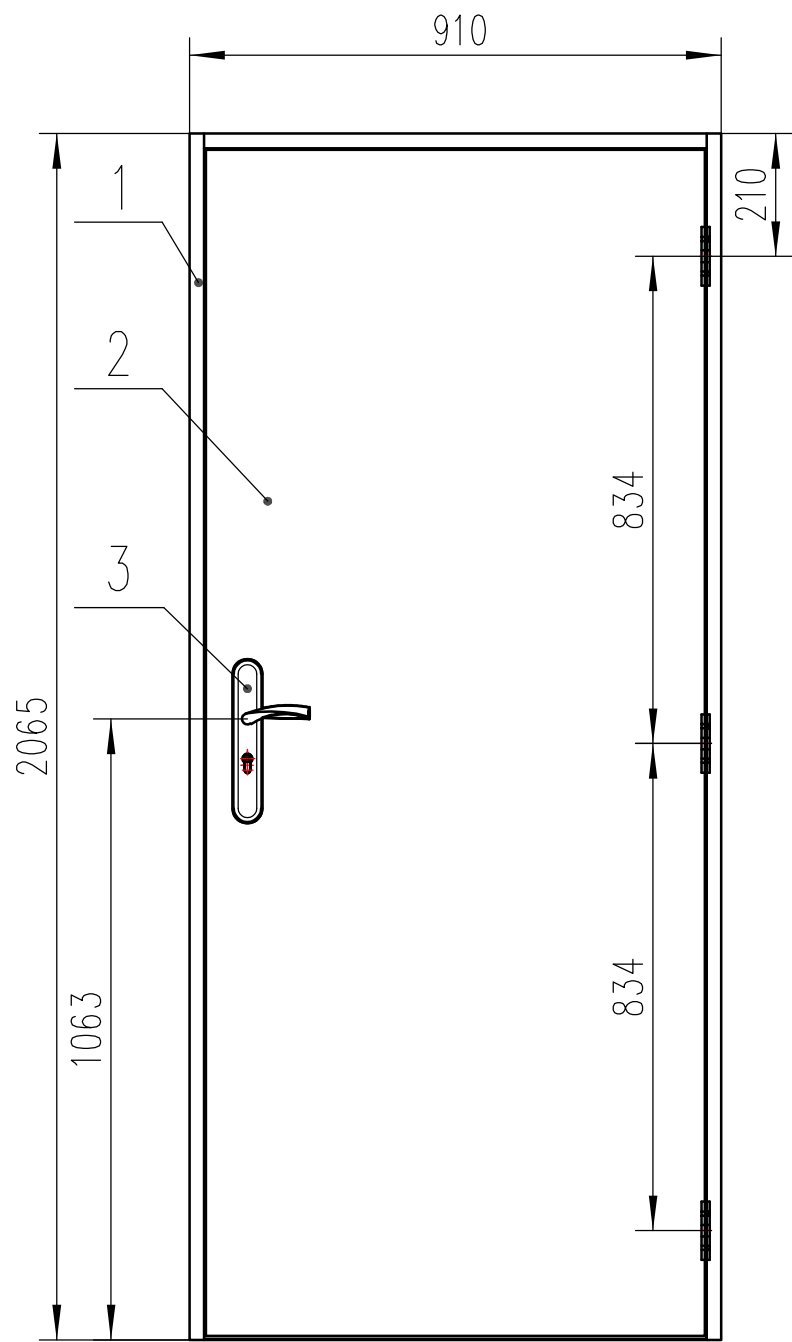


910 X 2065mm Shipping Container Door



918901 S/Steel
HOOPLY® handle
detail

1. Galvanised 90mm enclosed frame
2. 45mm, 1mm galvanised and reinforced door leaf with high density PU foam
3. 918901 S/S HOOPLY® handle
4. High density PU insulation in frame
5. High density PU insulation in door leaf
6. "V" frame seal
7. Stainless steel ball bearing hinge
8. Stainless steel 2mm threshold
9. 3 point top locks
10. HOOPLY® 502S side lock
11. HOOPLY® ST8 security lock
12. Reinforcing mesh
13. No bottom lock bolt