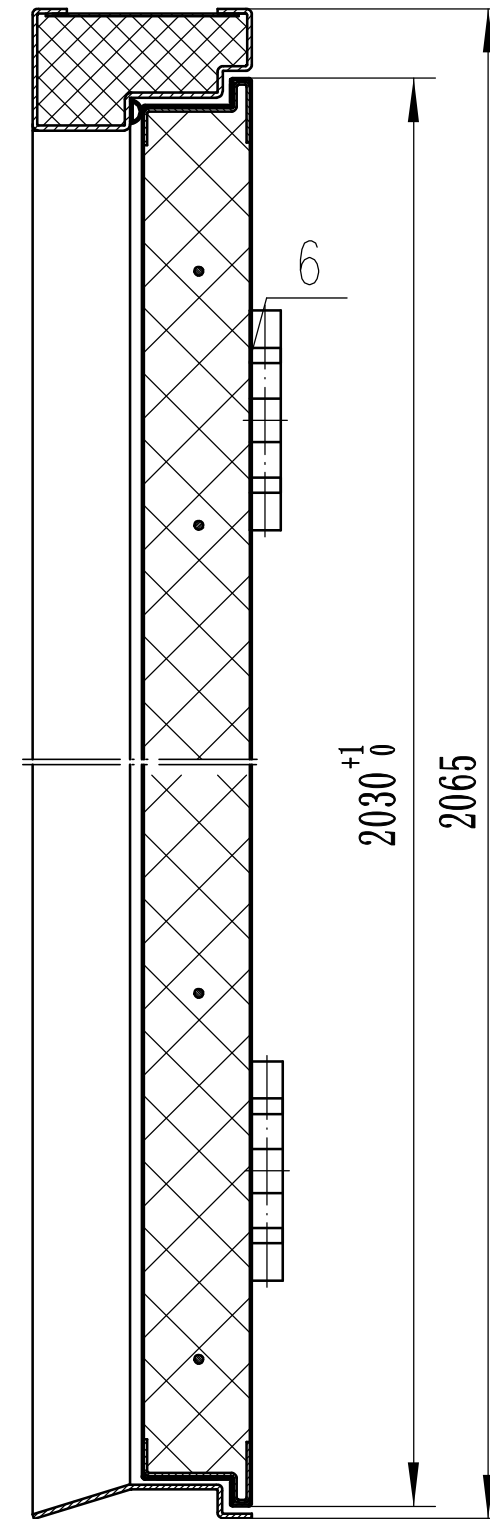
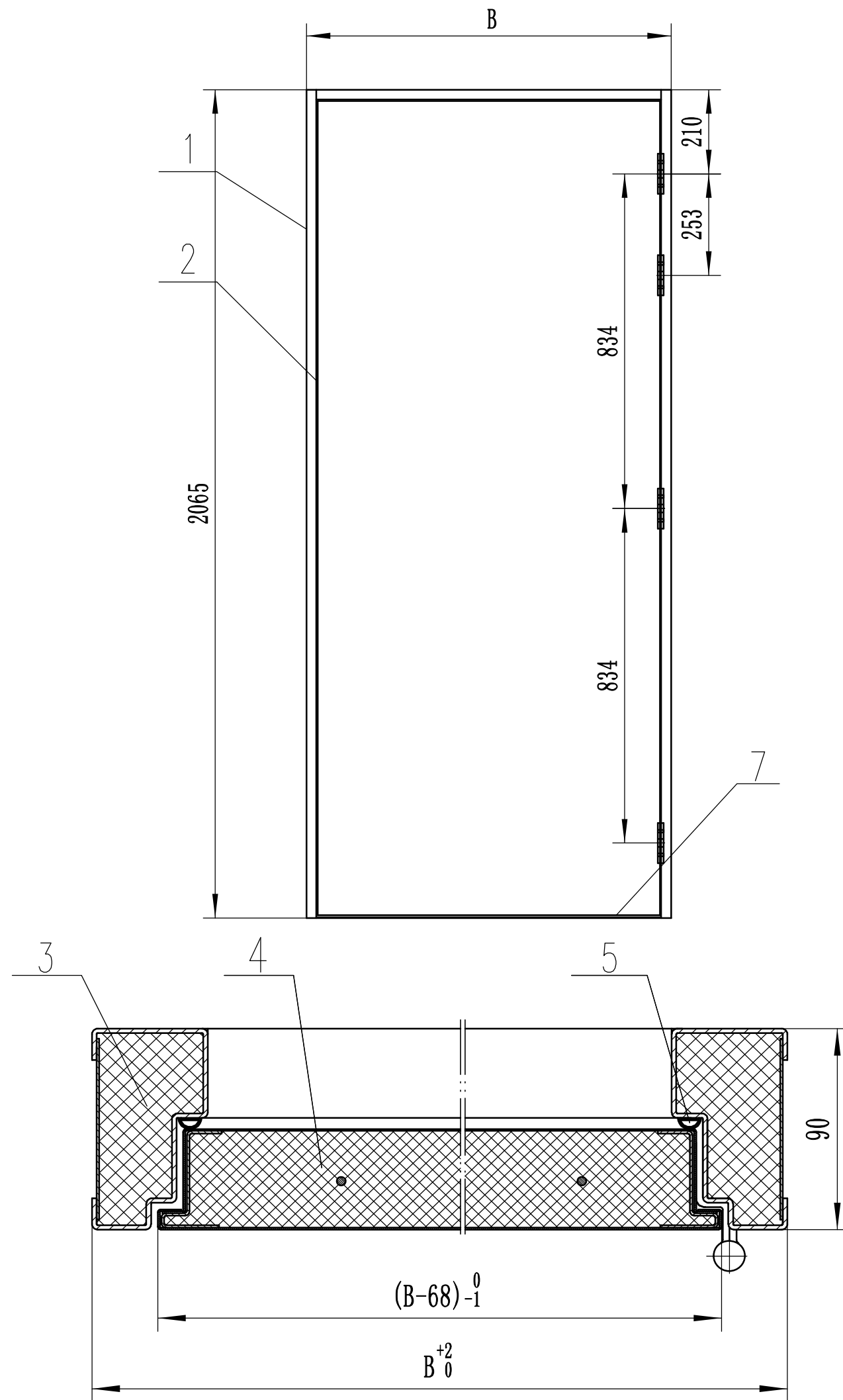


# 910 X 2065mm Blank Container Door



1. Galvanised 90mm enclosed frame
2. 45mm, 1mm galvanised and reinforced door leaf with high density PU foam
3. High density PU insulation in frame
4. High density PU insulation in door leaf
5. "V" frame seal
6. Stainless steel ball bearing hinge
7. Stainless steel 2mm threshold