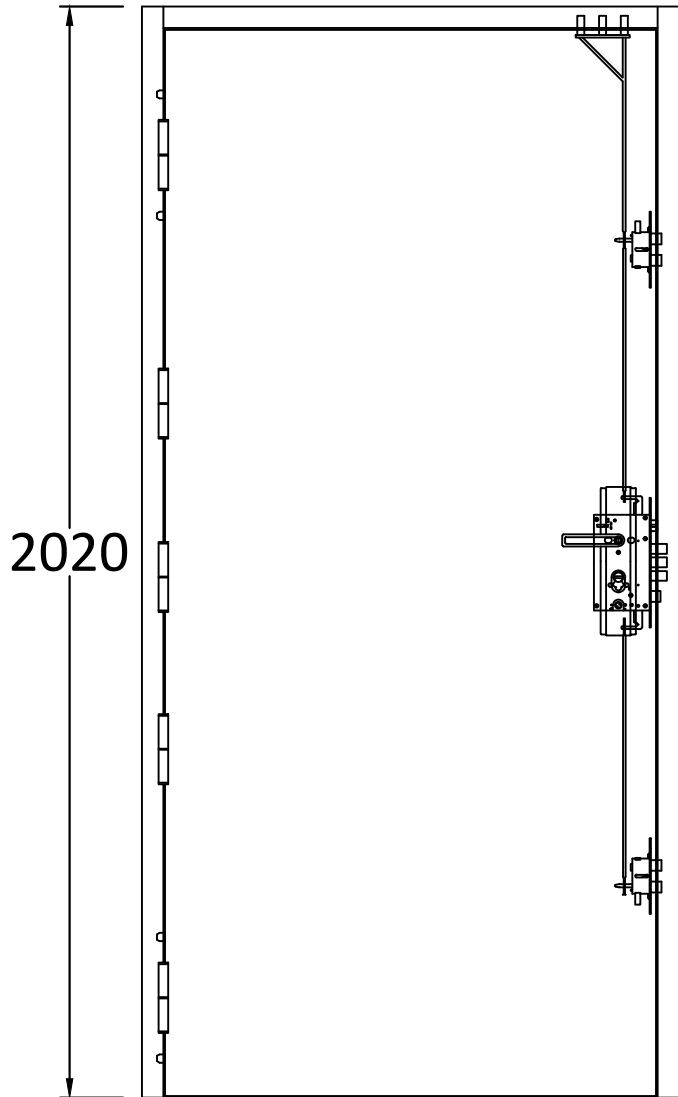


AERIAL CROSS SECTION

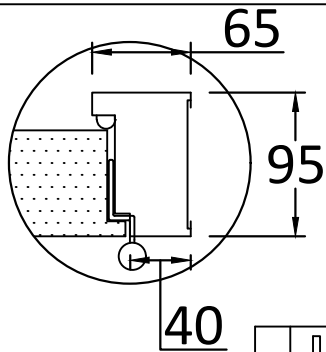


OUTSIDE VIEW

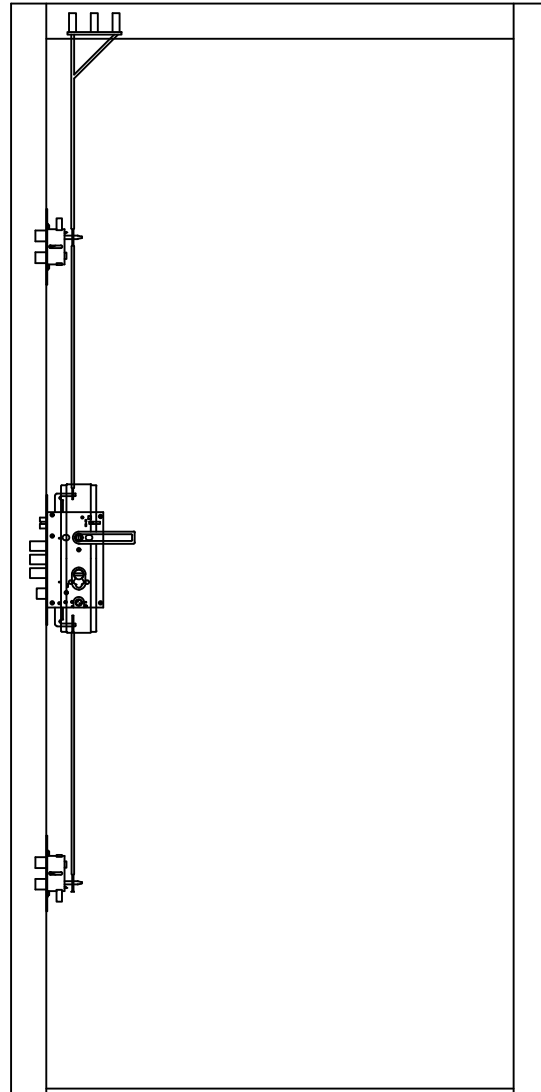
995



2020



INSIDE VIEW

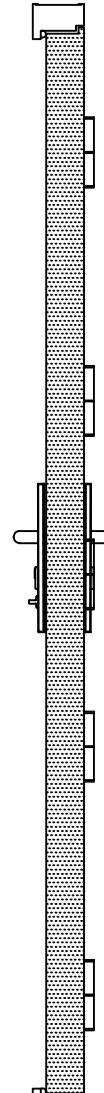


12

15

80

VERTICAL CROSS SECTION



**ULTRA DUTY
SECURITY DOOR**

**SIZES AVAILABLE
WIDTH (MM) X HEIGHT (MM)**

795 X 2020
845 X 2020
895 X 2020
995 X 2020

CONSTRUCTION MATERIALS

GALVANISED STEEL
FRAME: 2MM
DOOR LEAF: 1MM
FIREBOARD INFIL

HINGES

5 X 304# STAINLESS STEEL

EXAMPLE SHOWN:
995X2020 LH OUT
(VIEWED FROM OUTSIDE)

LATHAM'S
STEEL SECURITY DOORSETS

DRAWN BY:
CHRIS HARDY

SCALE:
1:14