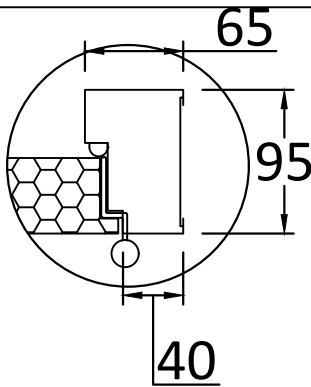


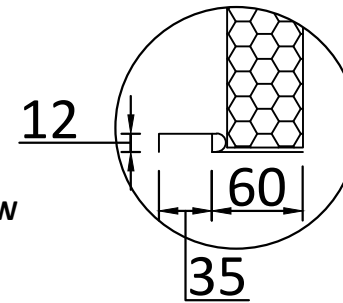
AERIAL CROSS SECTION



OUTSIDE VIEW



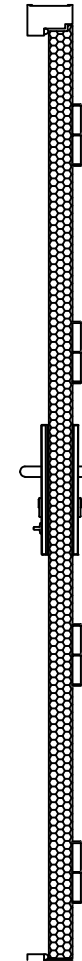
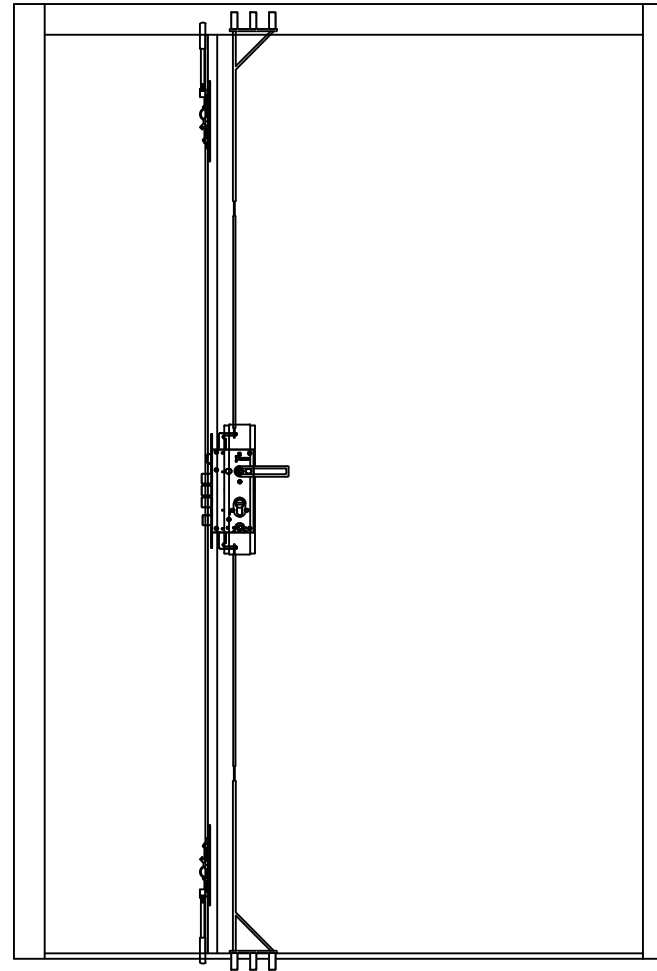
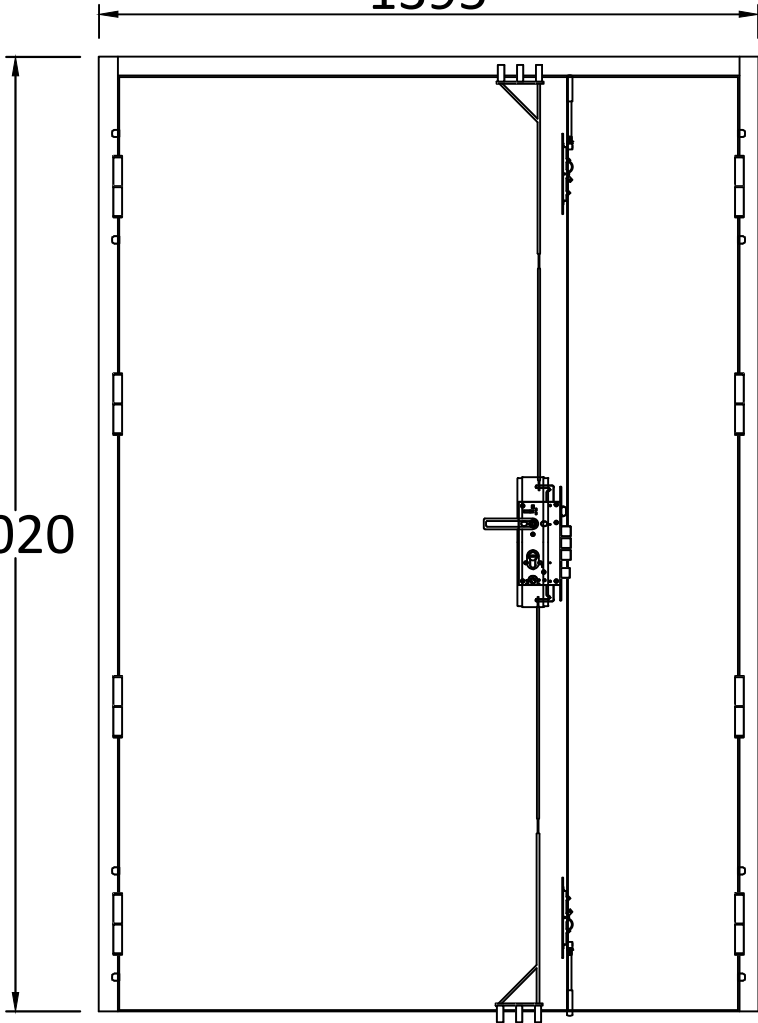
INSIDE VIEW



VERTICAL CROSS SECTION

1395

2020



LEAF & A HALF SECURITY DOOR

SIZES AVAILABLE
WIDTH (MM) X HEIGHT (MM)
1295 X 2020
1395 X 2020

CONSTRUCTION MATERIALS

GALVANISED STEEL
FRAME: 2MM
DOOR LEAF: 1MM
DUFAYLITE INFIL

HINGES

8 X 304# STAINLESS STEEL

EXAMPLE SHOWN:
1395X2020 LH ACTIVE OUT
(VIEWED FROM OUTSIDE)

LATHAM'S
STEEL SECURITY DOORSETS

DRAWN BY:
CHRIS HARDY

SCALE:
1:16