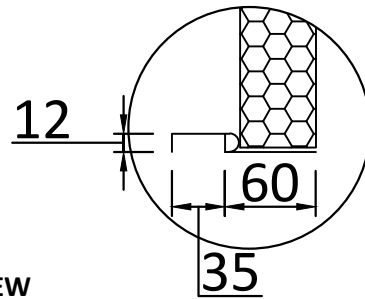
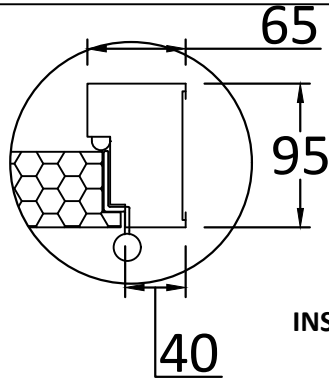
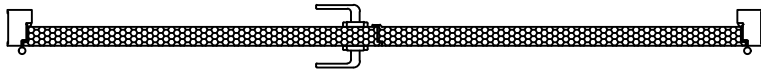


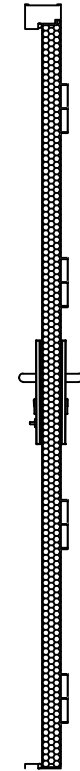
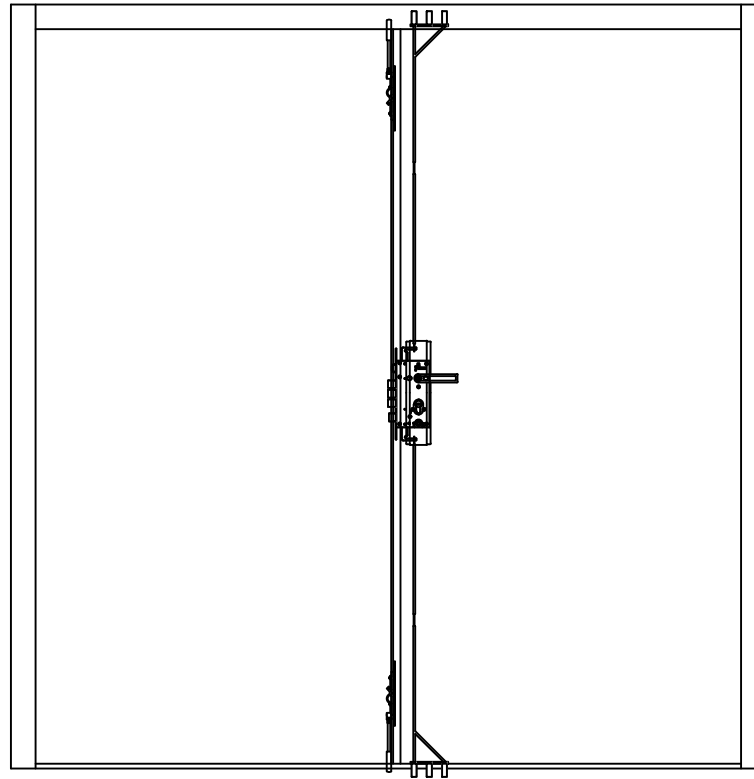
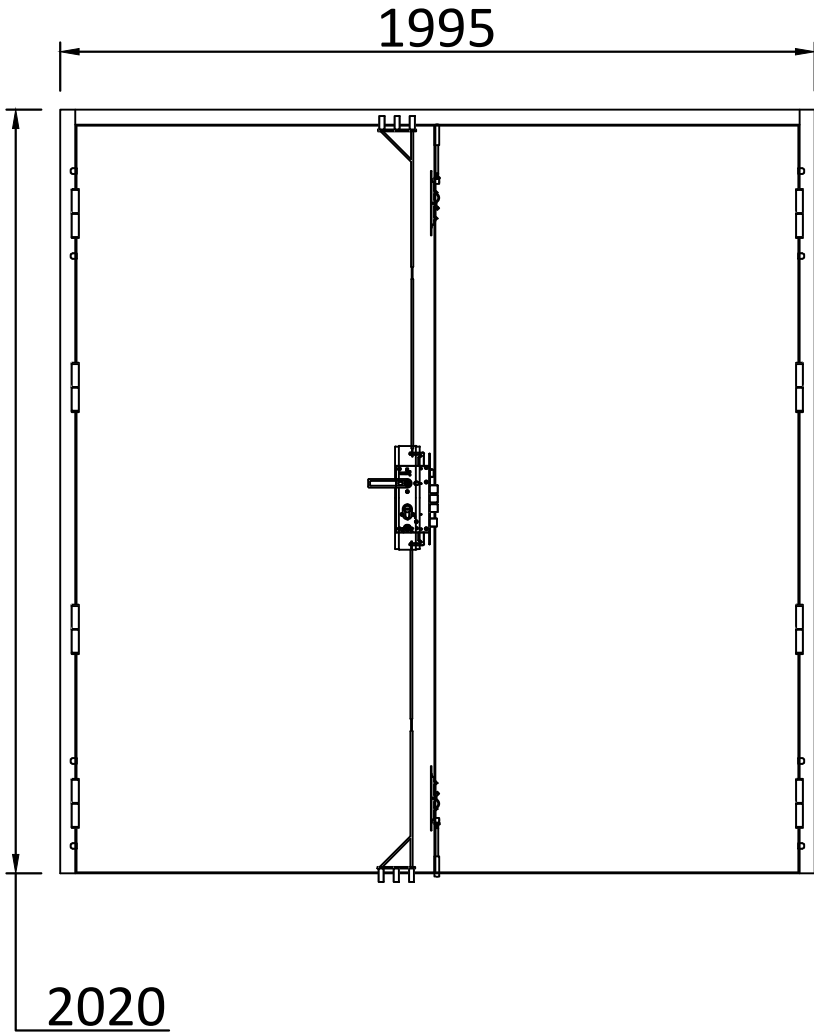
**AERIAL CROSS SECTION**



**OUTSIDE VIEW**

**INSIDE VIEW**

**VERTICAL CROSS SECTION**



**DOUBLE SECURITY DOOR**

SIZES AVAILABLE	
WIDTH (MM)	X HEIGHT (MM)
1495	X 2020
1595	X 2020
1695	X 2020
1795	X 2020
1895	X 2020
1995	X 2020

**CONSTRUCTION MATERIALS**

GALVANISED STEEL
FRAME: 2MM
DOOR LEAF: 1MM
DUFAYLITE INFIL

**HINGES**

8 X 304# STAINLESS STEEL
--------------------------

EXAMPLE SHOWN:  
1995X2020 LH ACTIVE OUT  
(VIEWED FROM OUTSIDE)

**LATHAM'S**  
STEEL SECURITY DOORSETS

DRAWN BY:  
CHRIS HARDY

SCALE:  
1:20