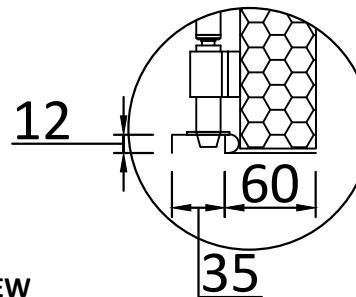
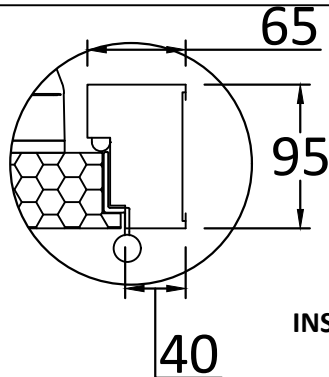
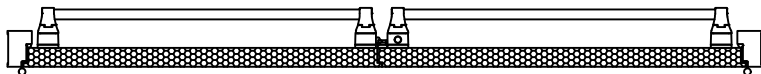


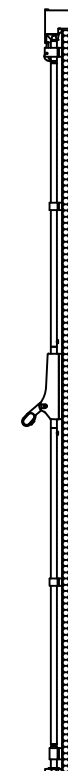
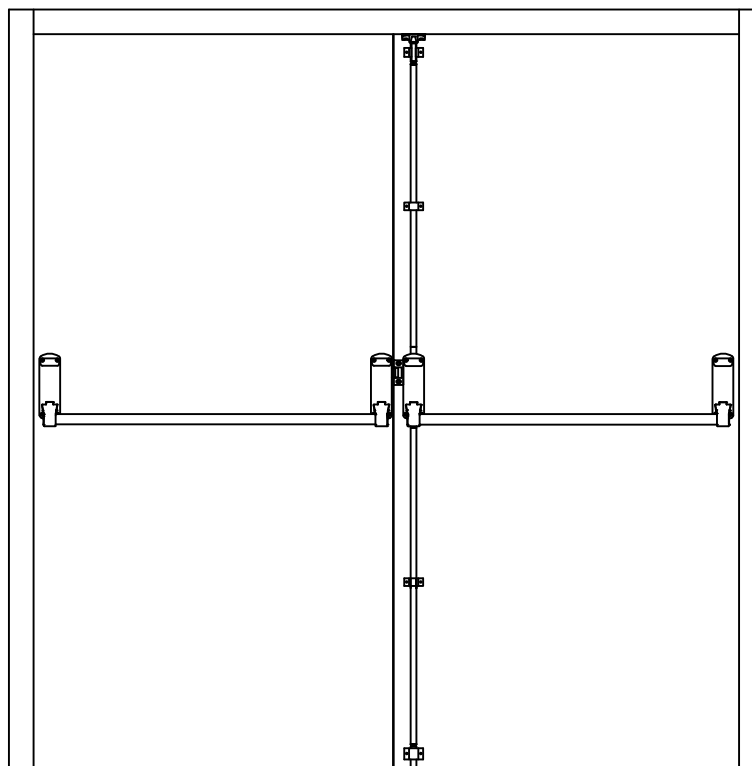
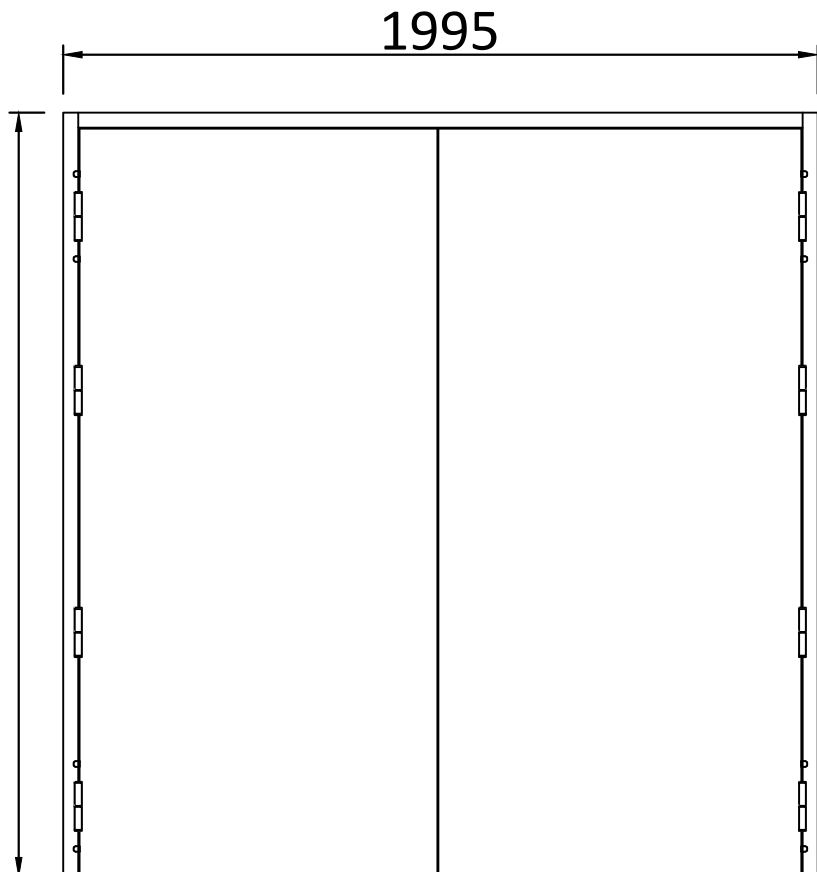
AERIAL CROSS SECTION



OUTSIDE VIEW

INSIDE VIEW

VERTICAL CROSS SECTION



DOUBLE FIRE EXIT DOOR

SIZES AVAILABLE WIDTH (MM) X HEIGHT (MM)
1495 X 2020
1595 X 2020
1695 X 2020
1795 X 2020
1895 X 2020
1995 X 2020

CONSTRUCTION MATERIALS

GALVANISED STEEL
FRAME: 2MM
DOOR LEAF: 1MM
DUFAYLITE INFIL

HINGES

8 X 304# STAINLESS STEEL

EXAMPLE SHOWN:
1995X2020 LH ACTIVE OUT
(VIEWED FROM OUTSIDE)

LATHAM'S
STEEL SECURITY DOORSETS

DRAWN BY: CHRIS HARDY	SCALE: 1:20
--------------------------	----------------

2020